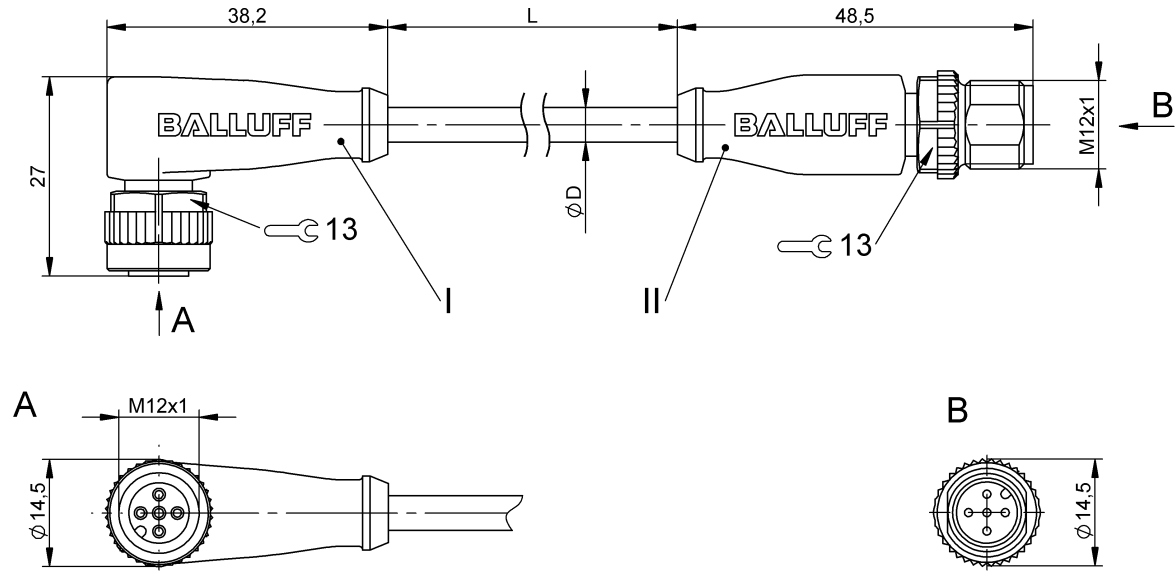


Double-Ended Cordsets

BCC M425-M415-3A-312-PY4534-003-C033

Order Code: BCC0M8F

BALLUFF



Basic features

Application	Welding area
Approval/Conformity	CE cULus WEEE
Base type deviation	C033: Grip yellow

Electrical connection

Bending radius min., fixed cable	5 x D
Bending radius min., flexible cable	10 x D
Cable	PUR welding spark resistant Yellow, 0.3 m, drag chain compatible
Cable diameter D	5.30 mm ±0.20 mm
Cable, bending cycles min.	5 mil.
Cable, torsion stress	±360°/m
Conductor cross-section	0.34 mm ²
Connection 1	M12x1-Female, angled, 5-pin, A-coded
Connection 2	M12x1-Male, straight, 5-pin, A-coded
Number of conductors	5
System	Molded/Molded

Electrical data

Operating voltage Ub	60 VDC / 60 VAC
Rated current (40 °C)	4.0 A

Environmental conditions

Cable temperature, drag chain	-25...60 °C
Cable temperature, fixed routing	-40...80 °C
Cable temperature, flexible routing	-25...80 °C
IP rating	IP67, IP68, IP69K/IP67, IP68, IP69K

Interface

Switching output	Complementary
------------------	---------------

Material

Cable jacket material, note	welding spark resistant
Cable jacket, material	PUR
Material contact carrier	PUR/PUR
Material contacts	Bronze/Brass
Material cover nut	Die-cast zinc/Die-cast zinc
Material grip	PUR/PUR

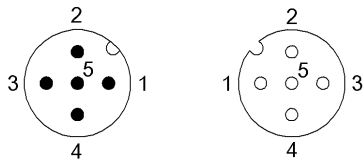
Mechanical data

Acceleration max., drag chain	5 m/s ²
Cable jacket, color	Yellow
Cable length L	0.30 m
Cable properties	drag chain compatible
Horizontal travel permitted, drag chain	5 m
Tightening torque pigtail	0.6 Nm/0.6 Nm
Traverse speed max., drag chain	200 m/min
Vertical travel permitted, drag chain	2 m

Remarks

Enclosure rating per IEC 60529 or 20653, only in screwed state with the associated mating piece.
Cable construction acc. to UL-AWM Style 20549
Halogen-free per DIN VDE 0472 Part 815
LABS-free
Flame resistance per UL FT2
Cable marking according to MgU-I-B09-41
Weld spark resistant according to MgU-I-B09-41

Connector Drawings



II	I
PIN 1: brown	PIN 1: brown
PIN 2: white	PIN 2: white
PIN 3: blue	PIN 3: blue
PIN 4: black	PIN 4: black
PIN 5: gray	PIN 5: gray

Wiring Diagrams

